

 Nakamichi®



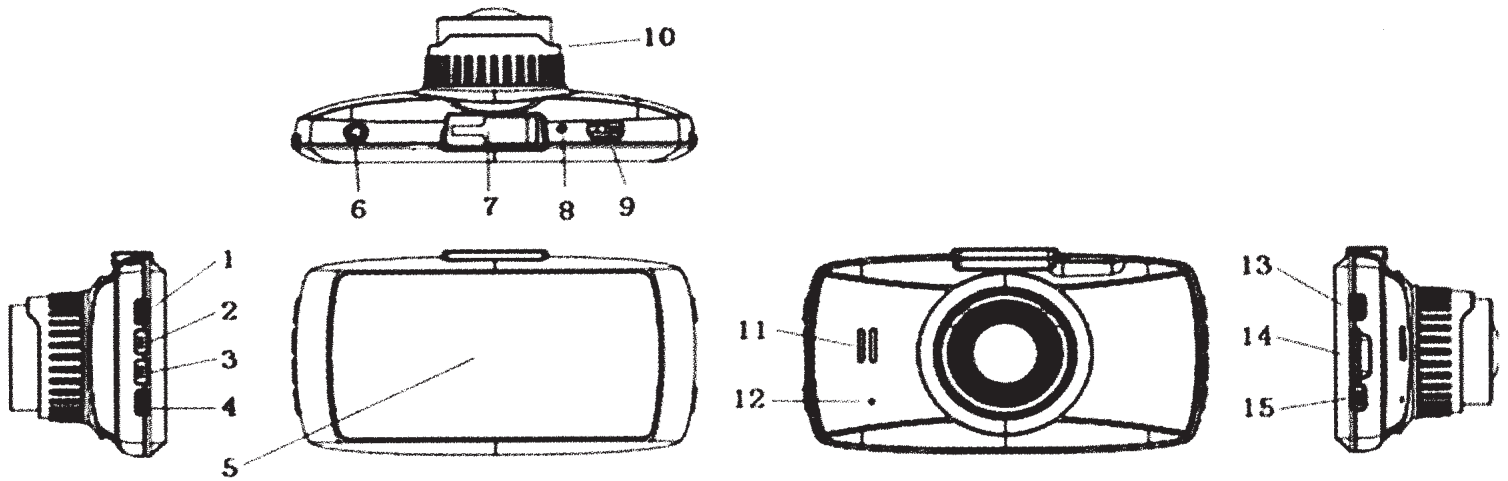
**DIGITAL VIDEO RECORDER**

---

**MODEL:ND27**

---

## Button Distribution



- |             |                |                  |                  |                |
|-------------|----------------|------------------|------------------|----------------|
| 1. Menu     | 2. Up          | 3. Down          | 4. Mode          | 5. LCD Display |
| 6. AV out   | 7. Holder hook | 8. Reset         | 9. Mini-USB      | 10. Lens       |
| 11. Speaker | 12. Microphone | 13. Power On/Off | 14. TF card slot | 15. Rec        |

**Device works both by:**

- 1. Built-in li-ion battery**
- 2. External power from USB port, like car charger**

## Functions Introduction

Before operating this device, please insert a TF card, then format it.

### **1. Power On/Off:**

When device works with built-in battery, short press 'power' button to start up, press again to shut off.

When device connected to car charger through USB port, device will start up and record automatically.

When disconnected, device power off automatically.

When device is On, to insert or remove the TF card will shut off the device.

### **2. Recording:**

When device is ON with built-in battery, short press 'Rec' button to start recording, press it again to stop recording.

When device connected to car charger through USB port, device will start up and record automatically.

Press 'Rec' manually to stop recording.

### **3. Photographing:**

After device is ON, press 'Mode' button to enter Photographing mode, then press 'Rec' to take photos.

### **4. Preview/Playback:**

After device is ON, press 'Mode' button twice to enter preview/playback mode, select the files by Up/Down buttons, press 'Rec' to playback the selected file.

### **5. Automatic Locking Function:**

During driving, when the car is shaking severely, the real-time video will be locked automatically to protect from recycling.

## Video Menu

During video mode, press 'menu' button to enter the video menu setting.

### **1. Video resolution: VGA/HD**

VGA: 640\*480/25FPS

HD: 1280\*720/25FPS

### **2. Date Stamp: On/Off**

When Date Stamp set ON, the date/time details will be stamped onto video screen and photo, as watermark.

When Date Stamp set OFF, the date/time details won't be stamped onto video screen and photo.

### **3. Motion Detection: On/Off**

When Motion Detection set On, device will start recording if any object moving in front of the lens.

When Motion Detection set Off, device will keep on and won't be triggered to record automatically by any object moving.

### **4. Voice recording: On/Off**

When voice recording set ON, device will store the video together with audio, and users can hear the sound from the video when playback.

When voice recording set OFF, device will take video without audio input, then users can't hear any sound from the video file when playback.

### **5. Loop recording: 2 min./5min./15min.**

2 min.: video will be stored by 2 minutes per section.

5 min.: video will be stored by 5 minutes per section.

15 min.: video will be stored by 15 minutes per section.

## Photo Menu

In photographing mode, press 'menu' button to enter photo menu.

### 1. Photo size: VGA/1.3M

VGA: photo size will be 640\*480.

1.3M: photo size will be 1280\*1024.

## Preview Menu

In preview mode, press 'menu' button to enter preview menu.

### 1. Delete: Single/All/Cancel

Single: delete the current file.

All: delete all the files (except locked files).

Cancel: back to last menu.

### 2. Thumbnail: Execute/Cancel

Execute: all files will display by thumbnail format.

Cancel: back to last menu.

### 3. Volume: 1/2/3/4/5/6/7/8

The volume to playback the video will be selectable from 8、7、6、5、4、3、2、1.

### 4. Unprotect: Execute/Cancel

Execute: unlock the protected video file.

Cancel: back to upper menu option.

## System Menu

When at recording or photographing mode, press 'Menu' button twice to enter system menu interface.

### **1. Format: Execute/Cancel**

Execute: all data in TF card will be deleted .

Cancel: back to last menu .

### **2. OSD language:**

OSD language is selectable among English/Simple Chinese/Traditional Chinese /Japanese/Russian/Polish.

### **3. System reset: Execute/Cancel**

Execute: will reset the device to the factory defaulted data.

Cancel: back to last menu.

### **4. Light frequency:**

50Hz/60Hz selectable for different countries.

### **5. Date Input: Date Input/Cancel**

Date input: set the date through 'Up'/'Down' buttons to fix the date, confirmed by pressing 'Rec' button.

Cancel: back to last menu .

### **6. TV Output:**

PAL/NTSC selectable for different countries.

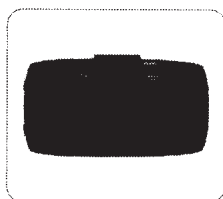
### **How to download files from device:**

1. Connect the device to a PC through USB data cable included in package .
2. Find the movable Disk from 'Computer'.
3. Copy the files that you want from the folder 'DCIM/100DSCIM'.

## Technical Parameters

<b>LCD screen</b>	<b>2.7" Hi-definition TFTLCD screen</b>
<b>Video resolution</b>	<b>HD (1280*720) /VGA (640*480)</b>
<b>Video file format</b>	<b>AVI</b>
<b>Photo size</b>	<b>1.3M (1280*1024) /VGA (640*480)</b>
<b>Photo file format</b>	<b>JPG</b>
<b>Compression format</b>	<b>MJPEG</b>
<b>Motion Detection</b>	<b>Support</b>
<b>Record Time</b>	<b>2Min/5Min/15Min</b>
<b>TF card supported</b>	<b>4GB - 32GB (C4)</b>
<b>Mic/Speaker</b>	<b>Built-in</b>
<b>TV output</b>	<b>PAL/NTSC</b>
<b>Power input</b>	<b>DC 5V/1A</b>
<b>Battery</b>	<b>Built-in li-ion battery rechargeable</b>
<b>Light Freq.</b>	<b>50Hz/60Hz</b>
<b>Input/Output</b>	<b>AV-out/USB port</b>
<b>OSD Language</b>	<b>English/Simple Chinese /Traditional Chinese / Japanese/Russian/Polish</b>

## Packaging Accessories



**DVR**



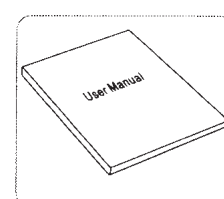
**Car Charger**



**USB Cable**



**Suction cup holder**



**Manual**



[www.nakamichicaraudio.com](http://www.nakamichicaraudio.com)